

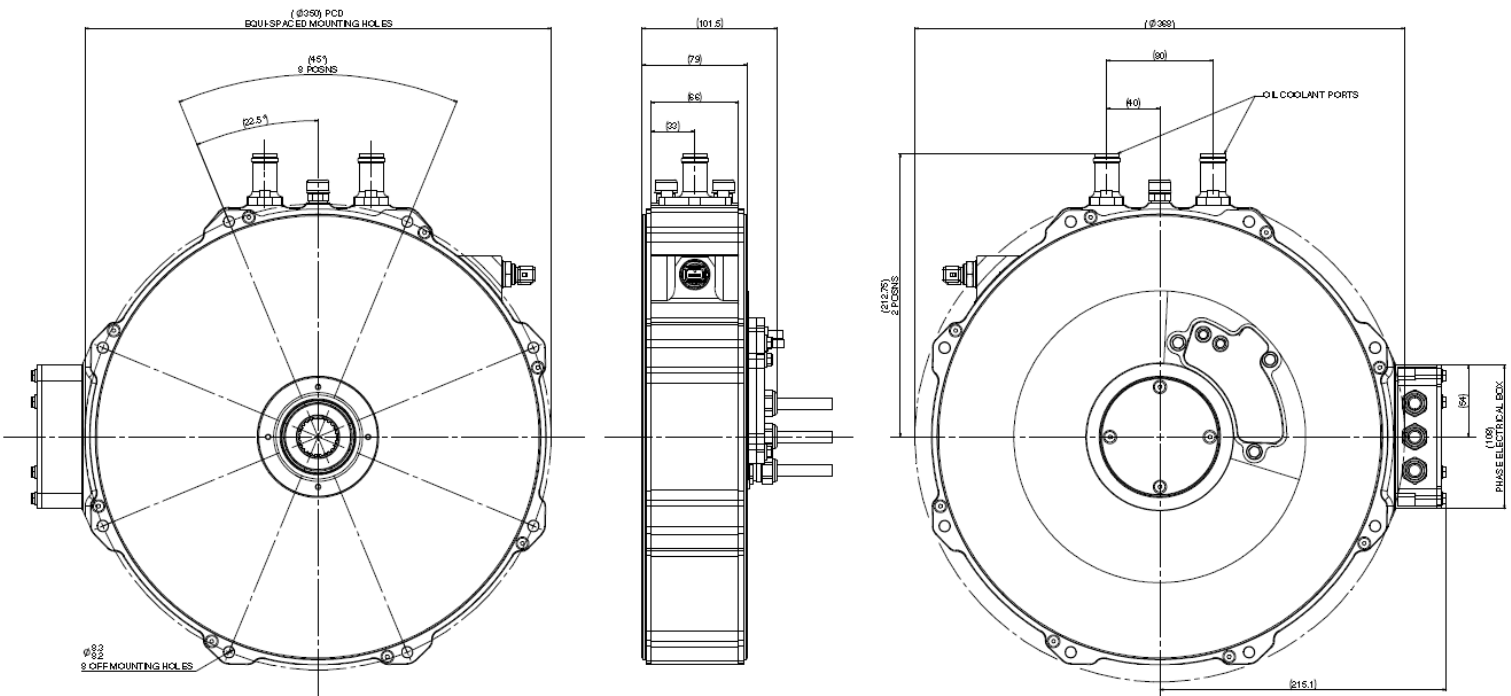
YASA 750

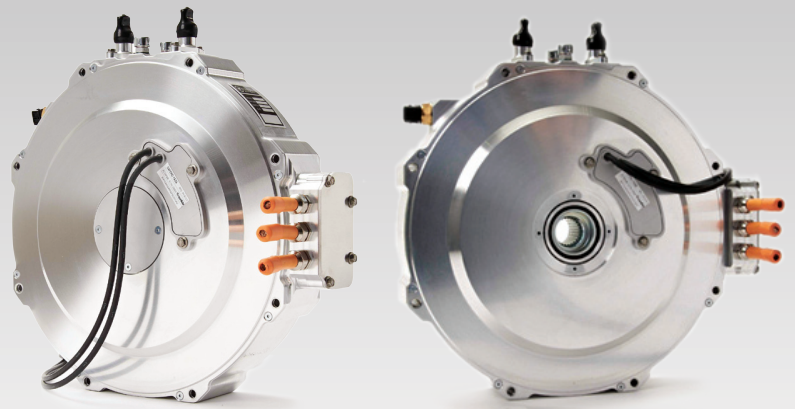
Axial Flux Electric Motor

The **YASA topology** is the industry leader in high power/torque density axial flux motors. **YASA Motors** are changing the way many industries think about how to power their applications now and in the future, as the size and weight of YASA technology is providing new innovations in system integration.

The **YASA 750** was developed as a low speed high torque motor, with excellent torque and power densities. This motor has been used in numerous industries and applications. The **YASA 750** offers torque of 790/400Nm (peak/continuous) and high power 200/75kW with a speed range of 0-3250rpm, characteristics that make it suited to diesel power generation and direct drive traction applications.

Dimension Details



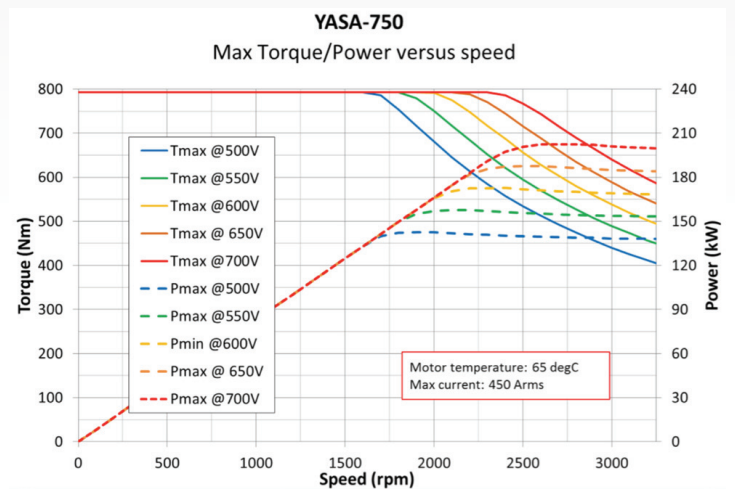
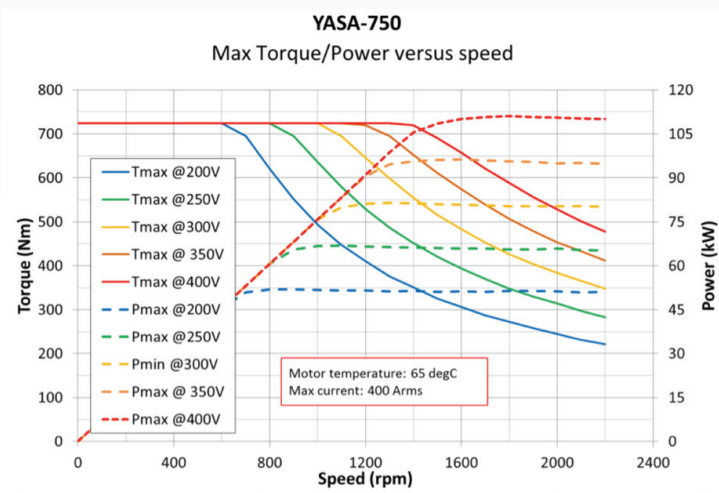


YASA 750

Axial Flux Electric Motor

Performance with 400 Vdc & 400 Arms Controller

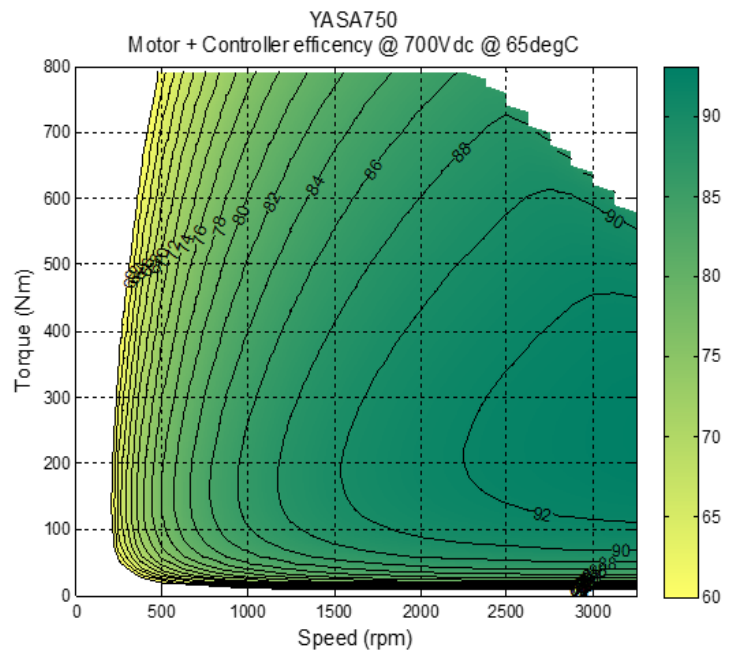
Performance with 800 Vdc & 450 Arms Controller



Electrical Specification

- ▶ Peak torque @ 450A @ 65°C 790Nm
- ▶ Continuous torque 400Nm
- ▶ Peak power @ 400V @ 65°C 100kW
- ▶ Peak power @ 700V @ 65°C 200kW
- ▶ Continuous power >75kW
- ▶ Peak efficiency >95%
- ▶ Total mass 33kg
- ▶ Maximum speed 3250rpm

Motor & Controller Efficiency



Best in Class Torque and Power Density